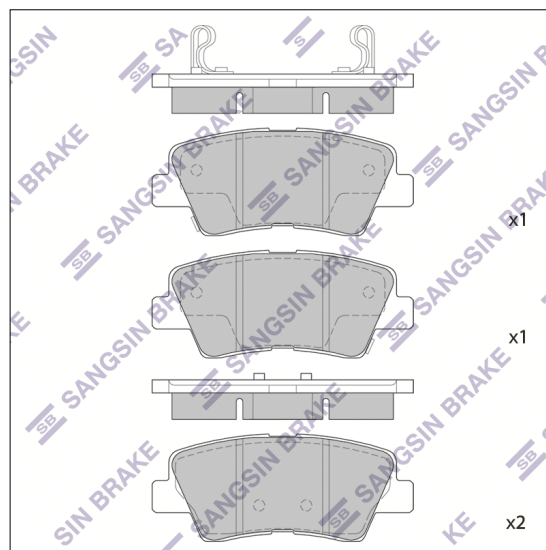


SP1239

Specifications

Fitting Position	RR
Inner Width(mm)	99.80
Inner Height(mm)	41.20
Inner Thickness(mm)	15.00
Outer Width(mm)	99.80
Outer Height(mm)	41.20
Outer Thickness(mm)	15.00
Usage Number	D1445-8428, 181976, MDB3027, MDB3306, SDB2088, 2564701, GDB3494, 25647, 25648, 25337, D11210M, 13.0460-5650.2, P 30 054, EHT1445H, MGD1445CH, SP1239(SD)
EAN	8809409031781
E-MARK	Approved



Application

CHANGAN				
Model	Type	Kw	Year	
CS35	1.6	92	10/12 - /	
HYUNDAI				
Model	Type	Kw	Year	
ELANTRA (HD)	1.6/2.0/1.6 CRDi		-	
SONATA V (NF)	2.0 CRDi	100	02/06 - 12/10	
SONATA V (NF)	2.0 CRDi	103	02/06 - 12/10	
SONATA V (NF)	2.0 CRDi	110	03/09 - 12/10	
SONATA V (NF)	2.0 GLSi	119	07/08 - 12/10	
SONATA V (NF)	2.0 VVTi GLS	106	05/05 - 12/10	
SONATA V (NF)	2.0 VVTi GLS	121	01/08 - 12/10	
SONATA V (NF)	2.4	119	01/05 - 12/10	
SONATA V (NF)	2.4	125	06/08 - 12/09	
SONATA V (NF)	2.4	128	06/08 - 12/10	
SONATA V (NF)	3.3	171	01/05 - 12/10	
SONATA V (NF)	3.3	173	06/05 - 12/10	
SONATA V (NF)	3.3	184	01/08 - 12/10	
SONATA VI (YF)	2.0 i	121	01/11 - 06/14	
SONATA VI (YF)	2.4	128	01/09 - 11/10	
KIA				
Model	Type	Kw	Year	
OPTIMA	1.7 CRDi	100	03/12 -	
OPTIMA	1.7 CRDi	104	11/15 -	
OPTIMA	2.0	125	03/12 -	
OPTIMA	2.0 CVVL	120	09/15 -	

OPTIMA	2.0 CVVT Hybrid	140	12/12 -
SOUL (AM)	1.6 CRDi 115	85	02/09 -
SOUL (AM)	1.6 CRDi 128	94	02/09 -
SOUL (AM)	1.6 CVVT	77	02/09 -
SOUL (AM)	1.6 CVVT	93	02/09 -
SOUL (AM)	1.6 GDI	103	06/11 -
SSANGYONG			
Model	Type	Kw	Year
TIVOLI	1.6	94	04/15 -
TIVOLI	1.6 XDi 160	85	04/15 -
TIVOLI	1.6 XDi 160 All-wheel Drive	85	04/15 -
XLV Closed Off-Road Vehicle	e-XDi 160	85	04/16 -
XLV Closed Off-Road Vehicle	e-XDi 160 All-wheel Drive	85	04/16 -
XLV Closed Off-Road Vehicle	e-XGi 160	94	04/16 -
XLV Closed Off-Road Vehicle	e-XGi 160 All-wheel Drive	94	04/16 -

O.E References

Manufacturer	Reference
HYUNDAI	58302-3VA50
HYUNDAI	58302-3QA10
HYUNDAI	58302-2TA60
HYUNDAI	58302-2TA20
HYUNDAI	58302-2TA40