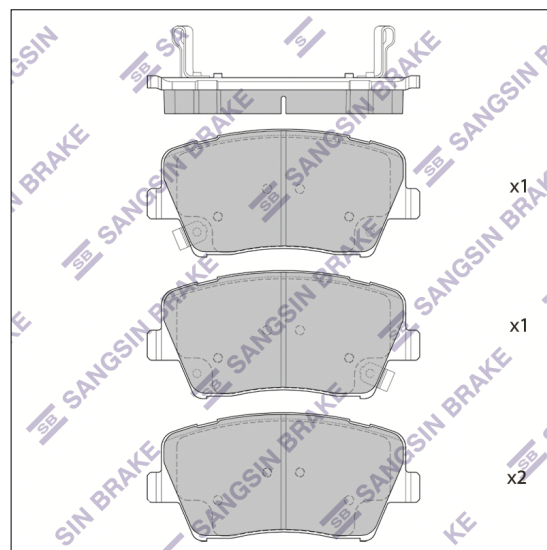


SP1778

Specifications

Fitting Position	FRT
Inner Width(mm)	132.80
Inner Height(mm)	62.30
Inner Thickness(mm)	17.50
Outer Width(mm)	132.80
Outer Height(mm)	62.30
Outer Thickness(mm)	17.50
Usage Number	
EAN	8809461755861
E-MARK	



Application

MERCEDES-BENZ

Model	Type	Kw	Year
A-CLASS (W169)	A 200 CDI (169.008, 169.308)	103	09/04 - 06/12
A-CLASS (W169)	A 200 CDI (169.308, 169.008)	100	09/04 - 06/12
A-CLASS (W169)	A 200 TURBO (169.034, 169.334)	142	09/05 - 06/12
A-CLASS (W169)	E-CELL (169.090)	50	12/10 - 06/12
B-CLASS (W245)	B 170 NGT (245.233)	85	04/08 - 11/11
B-CLASS (W245)	B 180 CDI (245.207)	80	03/05 - 11/11
B-CLASS (W245)	B 180 NGT (245.233)	85	04/08 - 11/11
B-CLASS (W245)	B 200 (245.233)	100	03/05 - 11/11
B-CLASS (W245)	B 200 CDI (245.208)	103	03/05 - 11/11
B-CLASS (W245)	B 200 TURBO (245.234)	142	03/05 - 11/11

O.E References

Manufacturer	Reference
--------------	-----------