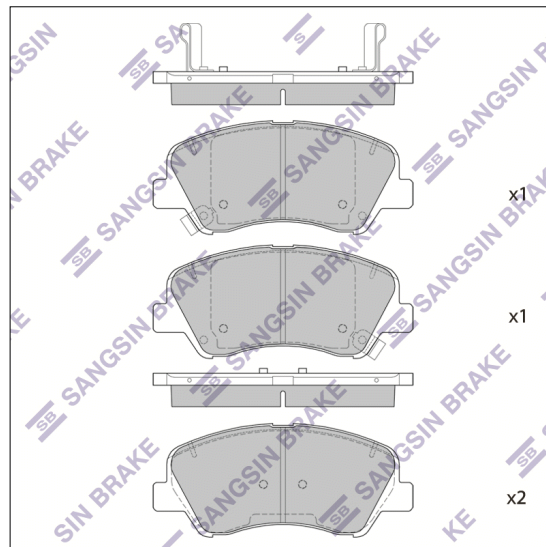


SP1399A

Specifications

Fitting Position	FRT
Inner Width(mm)	132.80
Inner Height(mm)	58.20
Inner Thickness(mm)	17.00
Outer Width(mm)	132.80
Outer Height(mm)	58.20
Outer Thickness(mm)	17.00
Usage Number	D1593-8806, MDB3276, SDB2272, 2534801, GDB3630, 24348, 25349, 25350, 13.0460-5548.2, P 30 122, SP1399A(SD)
EAN	8809461759555
E-MARK	Approved



Application

HYUNDAI				
	Model	Type	Kw	Year
	i20 (GB)	1.0 T-GDI	74	01/16 -
	i20 (GB)	1.0 T-GDI	88	01/16 -
	i20 ACTIVE (GB)	1.0 T-GDI	74	09/15 -
	i20 ACTIVE (GB)	1.0 T-GDI	88	09/15 -
	i20 ACTIVE (GB)	1.4 CRDI	66	09/15 -

O.E References

Manufacturer	Reference
HYUNDAI	58101H9A10
HYUNDAI	58101H8A58
HYUNDAI	58101C8A50
HYUNDAI	58101C8A00
HYUNDAI	58101H6A15