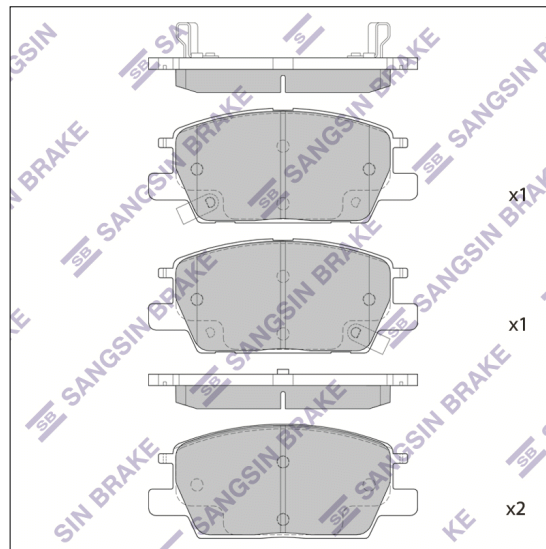


**SP1981**

Specifications

<b>Fitting Position</b>	FRT
<b>Inner Width(mm)</b>	140.70
<b>Inner Height(mm)</b>	59.80
<b>Inner Thickness(mm)</b>	18.00
<b>Outer Width(mm)</b>	140.70
<b>Outer Height(mm)</b>	59.80
<b>Outer Thickness(mm)</b>	18.00
<b>Usage Number</b>	D1913-9144, P 70 016, EHT1913H, MGD1913CH
<b>EAN</b>	8809500467137
<b>E-MARK</b>	



Application

O.E References

<b>Manufacturer</b>	<b>Reference</b>
BUICK	84206102
BUICK	23326280
CHEVROLET	85127895
CHEVROLET	84121520
CHEVROLET	23326280
CHEVROLET	84206102
CHEVROLET	84328256
CHEVROLET	84328263
GMC	84328263
GMC	84121520