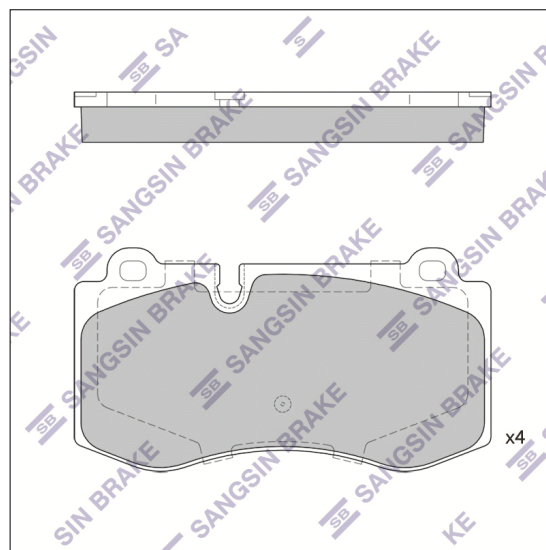


# SP2195

## Specifications

<b>Fitting Position</b>	FRT
<b>Inner Width(mm)</b>	141.70
<b>Inner Height(mm)</b>	75.90
<b>Inner Thickness(mm)</b>	17.00
<b>Outer Width(mm)</b>	141.70
<b>Outer Height(mm)</b>	75.90
<b>Outer Thickness(mm)</b>	17.00
<b>Usage Number</b>	D1223-8343, 181796, MDB2821, SDB2057, 2396081, 2396001, GDB1667, 23960, 13.0460-4817.2, SP2195(SD) , 37565 , 1202.00
<b>EAN</b>	8809584127910
<b>E-MARK</b>	Approved



## Application

MERCEDES-BENZ				
Model	Type	Kw	Year	
CLS (C219)	CLS 500 (219.372)	285	04/06 - 12/10	
CLS (C219)	CLS 550	285	04/06 - 02/11	
E-CLASS (W211)	E 420 CDI (211.029)	231	01/06 - 12/08	
E-CLASS (W211)	E 500 (211.072)	285	04/06 - 12/08	
E-CLASS T-Model (S211)	E 500 T (211.272)	285	04/06 - 07/09	
S-CLASS (W221)	S 250 CDI (221.003, 221.103)	150	01/11 - 12/13	
S-CLASS (W221)	S 280 (221.054)	170	08/06 - 12/13	
S-CLASS (W221)	S 300 (221.054)	170	08/06 - 12/13	
S-CLASS (W221)	S 320 CDI (221.022, 221.122)	173	12/05 - 06/09	
S-CLASS (W221)	S 320 CDI 4-matic (221.080, 221.180)	155	10/05 - 12/13	
S-CLASS (W221)	S 320 CDI 4-matic (221.080, 221.180)	173	10/06 - 12/13	
S-CLASS (W221)	S 350 (221.056, 221.156)	200	10/05 - 12/13	
S-CLASS (W221)	S 350 4-matic (221.087, 221.187)	200	02/08 - 12/13	
S-CLASS (W221)	S 350 BlueTec (221.026, 221.126)	190	04/11 - 12/13	
S-CLASS (W221)	S 350 BlueTEC 4-matic (221.083, 221.183)	190	04/11 - 12/13	
S-CLASS (W221)	S 350 CDI	173	06/09 - 12/13	
S-CLASS (W221)	S 350 CGI (221.057, 221.157)	225	04/11 - 12/13	
S-CLASS (W221)	S 350 CGI 4-matic (221.082, 221.182)	225	04/11 - 12/13	
S-CLASS (W221)	S 400 Hybrid (221.095, 221.195)	205	01/09 - 12/13	
S-CLASS (W221)	S 420 CDI / S 450 CDI (221.028, 221.128)	235	10/06 - 12/13	
S-CLASS (W221)	S 450 (221.070, 221.170)	250	12/05 - 12/13	
S-CLASS (W221)	S 450 4-matic (221.084, 221.184)	250	12/05 - 12/13	
S-CLASS (W221)	S 500 (221.071, 221.171)	285	10/05 - 12/13	
S-CLASS (W221)	S 500 4-matic (221.086, 221.186)	285	10/05 - 12/13	
S-CLASS (W221)	S 500 CGI (221.073, 221.173)	320	04/11 - 12/13	
S-CLASS (W221)	S 500 CGI 4-matic (221.094, 221.194)	320	03/11 - 12/13	

S-CLASS (W221)	S 600 (221.176)	380	12/05 - 12/13
S-CLASS Coupe (C216)	CL 500 (216.371)	285	06/06 - 12/13
S-CLASS Coupe (C216)	CL 500 (216.373)	320	02/11 - 12/13
S-CLASS Coupe (C216)	CL 500 4-matic (216.386)	285	02/08 - 12/13
S-CLASS Coupe (C216)	CL 500 4-matic (216.394)	320	02/11 - 12/13
S-CLASS Coupe (C216)	CL 600 (216.376)	380	05/06 - 12/13
SL (R230)	280	170	03/08 - 01/12
SL (R230)	300	170	04/09 - 01/12
SL (R230)	350	200	03/06 - 01/12
SL (R230)	350	232	04/08 - 01/12
SL (R230)	500	285	03/06 - 01/12

## O.E References

<b>Manufacturer</b>	<b>Reference</b>
MERCEDES-BENZ	0044206220
MERCEDES-BENZ	0054207820
MERCEDES-BENZ	0044208020