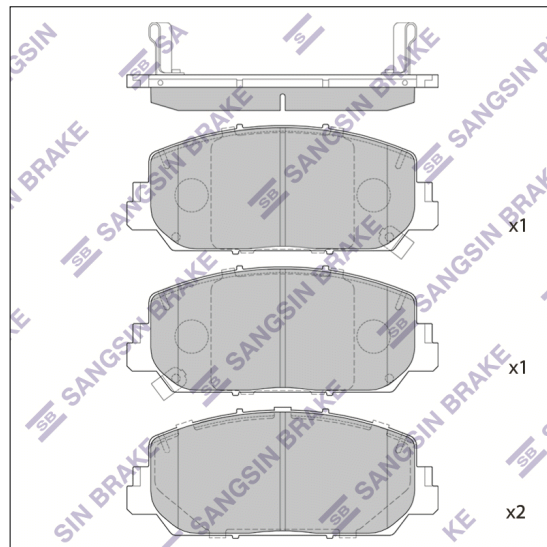


SP1789

Specifications

Fitting Position	FRT
Inner Width(mm)	148.80
Inner Height(mm)	62.00
Inner Thickness(mm)	17.00
Outer Width(mm)	148.80
Outer Height(mm)	62.00
Outer Thickness(mm)	17.00
Usage Number	D1697-8840, D1625-8840, 181908-201, MDB3840, 2555201, GDB7925, 25552, 25553, 25554, P 28 084, MGD1625CH
EAN	8809461758299
E-MARK	Approved



Application

O.E References

Manufacturer	Reference
ACURA	45022TY2A03
ACURA	45022-TY2-A02
ACURA	45022-TY2-A01
ACURA	45022-TX4-A80
ACURA	45022-TX4-A01
ACURA	45022-TX4-A00
ACURA	45022-TX4-305
ACURA	45022T3RA50