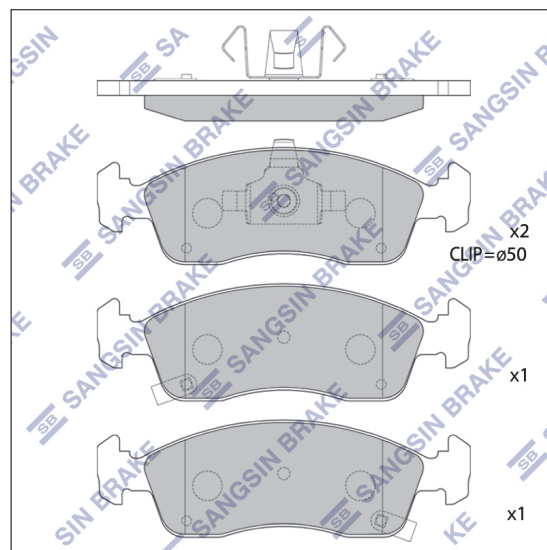


SP1673

Specifications

Fitting Position	FRT
Inner Width(mm)	151.50
Inner Height(mm)	47.40
Inner Thickness(mm)	16.00
Outer Width(mm)	151.50
Outer Height(mm)	47.40
Outer Thickness(mm)	16.00
Usage Number	SP1673(SD)
EAN	8809409035550
E-MARK	



Application

O.E References

Manufacturer	Reference
CHEVROLET	94748947