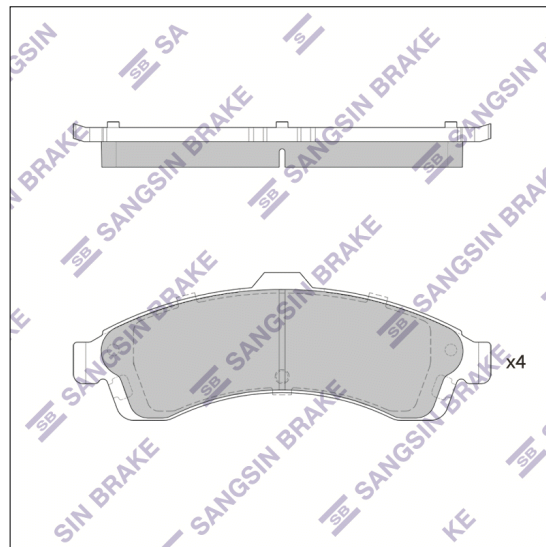


# SP1781

## Specifications

<b>Fitting Position</b>	FRT
<b>Inner Width(mm)</b>	176.90
<b>Inner Height(mm)</b>	62.60
<b>Inner Thickness(mm)</b>	16.80
<b>Outer Width(mm)</b>	176.90
<b>Outer Height(mm)</b>	62.60
<b>Outer Thickness(mm)</b>	16.80
<b>Usage Number</b>	D882-7759, MDB2218, 2444801, 24448, D20143H, P 10 009, EHT882H, MGD882CH, 37626 , 0837.02
<b>EAN</b>	8809461755656
<b>E-MARK</b>	



## Application

CHEVROLET			
Model	Type	Kw	Year
TRAILBLAZER (KC_)	4.2 AWD	201	09/01 - 09/08
TRAILBLAZER (KC_)	4.2 AWD	217	08/05 - 09/08
ISUZU			
Model	Type	Kw	Year
ASCENDER	4.2 4WD	217	03/03 - /
ASCENDER	5.3 4WD	224	03/03 - /
SAAB			
Model	Type	Kw	Year
9-7X	4.2 AWD	213	12/05 - 07/12
9-7X	5.3 AWD	220	06/04 - 07/12

## O.E References

Manufacturer	Reference
BUICK	88964423
SAAB	88964423SAAB
SAAB	8889644230