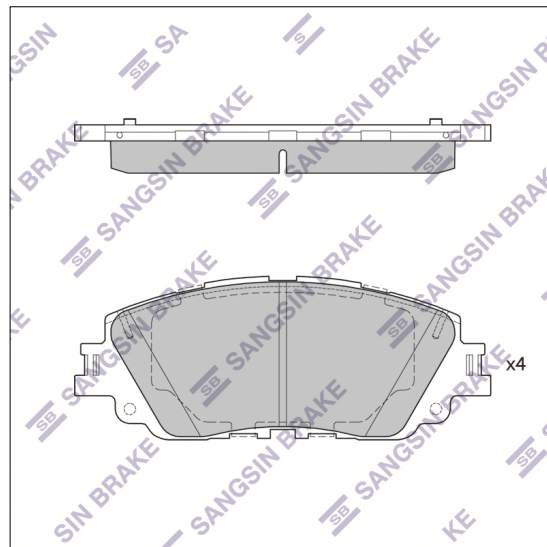


SP4275

Specifications

Fitting Position	FRT
Inner Width(mm)	142.60
Inner Height(mm)	55.90
Inner Thickness(mm)	16.50
Outer Width(mm)	142.60
Outer Height(mm)	55.90
Outer Thickness(mm)	16.50
Usage Number	D2076-9311, MDB4050, SDB2449, 2276801, 22768, D2360, 13.0460-5533.2, P 83 172, EHT2076H, MGD2076CH, SP4275(SD)
EAN	8809584127118
E-MARK	Approved



Application

O.E References

Manufacturer	Reference
TOYOTA	044465-0E060
TOYOTA	446533480